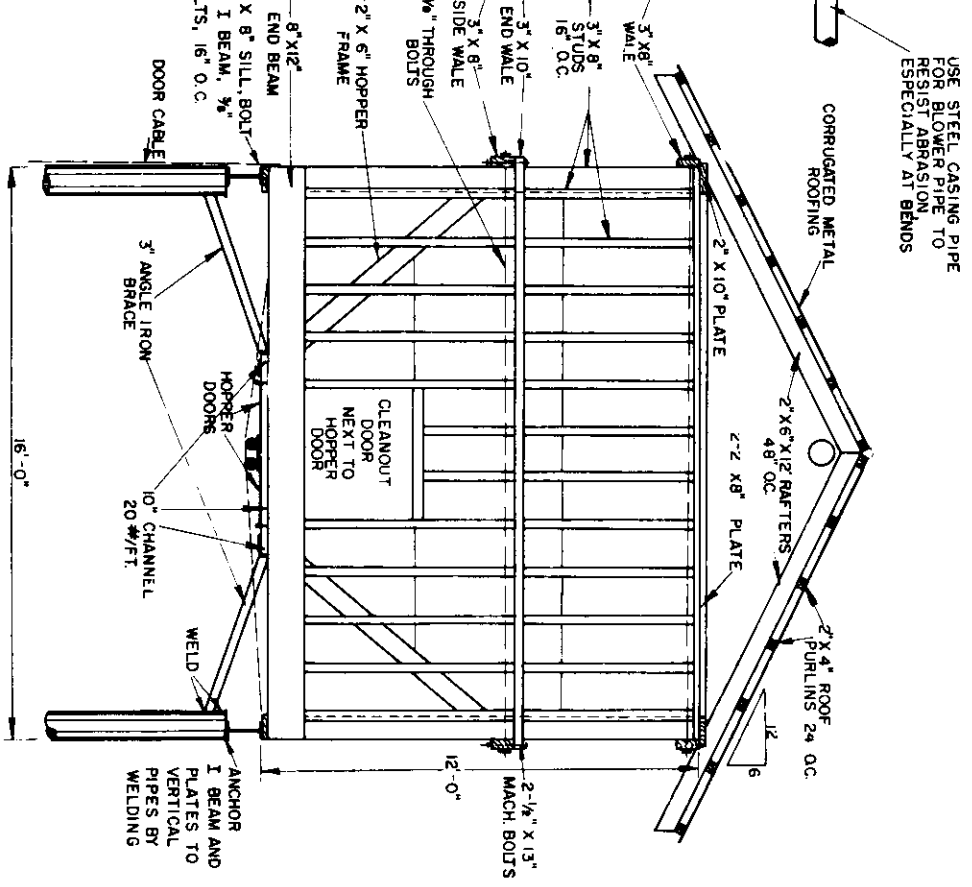


SIDE VIEW



END VIEW

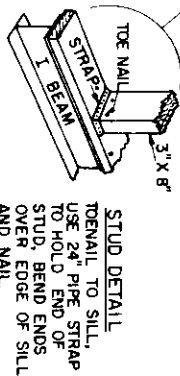
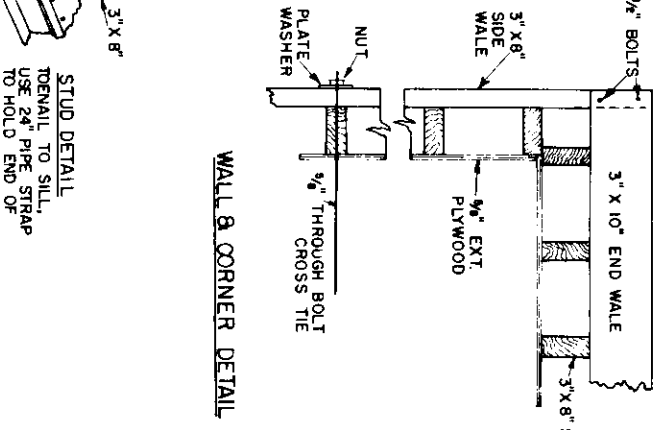
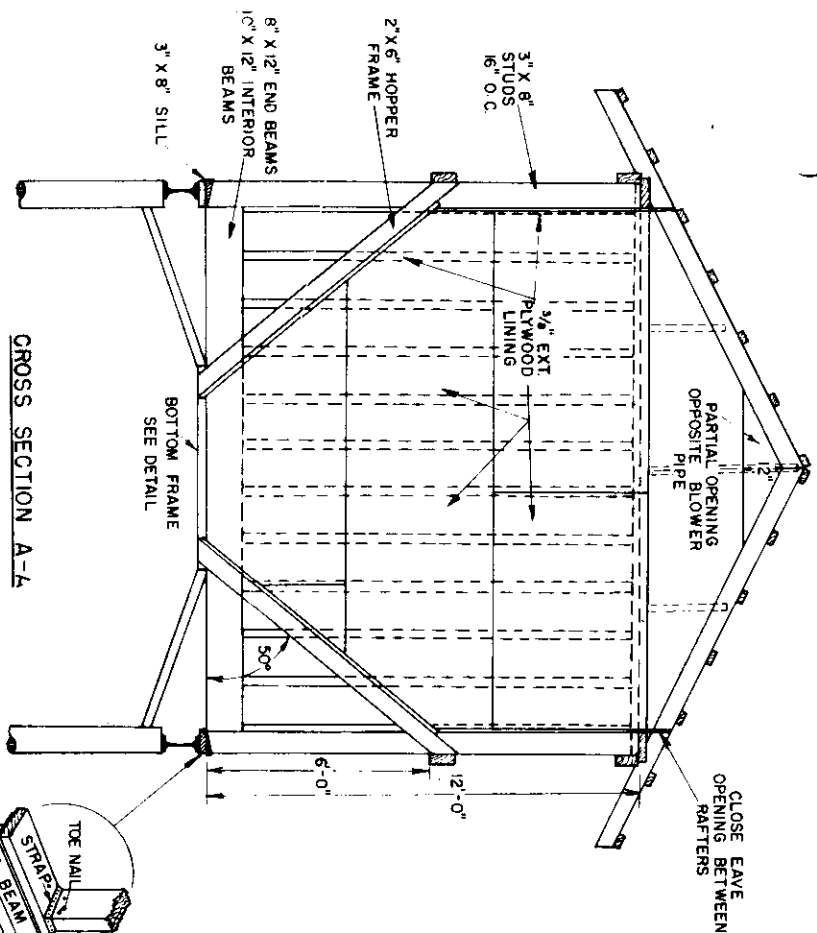
NOTE  
 FULL SIZED ROUGH LUMBER TO BE USED. OAK SUGGESTED.  
 BIN LINER - 3/4" EXT PLYWOOD OR 1" LUMBER LINED WITH 28 GAUGE GALVANIZED STEEL.

COOPERATIVE EXTENSION WORK IN  
 AGRICULTURE AND HOME ECONOMICS

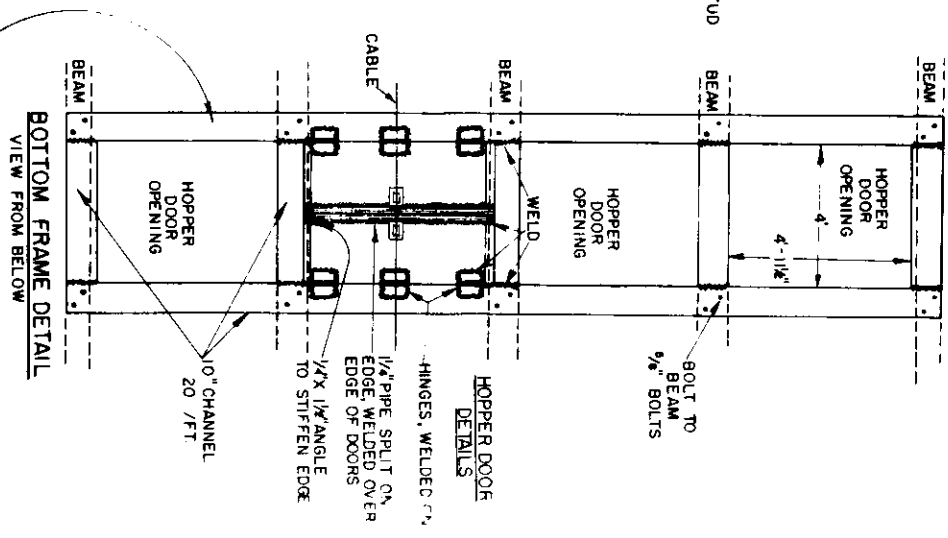
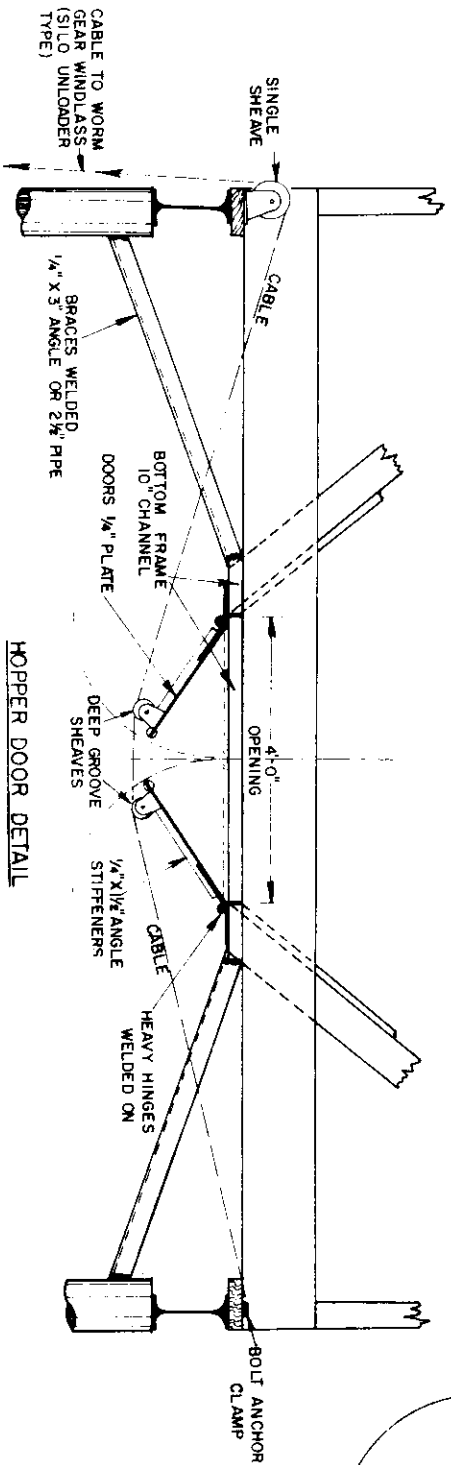
UNIVERSITY OF CALIFORNIA  
 AND  
 UNIVERSITY OF CALIFORNIA COOPERATING

**ELEVATED SAWDUST BIN**

PA '77 6276 SHEET 2 OF 3



CROSS SECTION A-4



NOTE: FOUR HOPPER DOORS WORK BEST, BUT TWO CAN BE USED IN HOPPER OPENINGS WITHOUT DOORS. USE A FLOOR OF 2" OAK PLANKS.